

## Product Overview

The SS-Series is our premier line of surgical scrub sinks. These sinks combine the best material, components, and craftsmanship available on the market today. Choose from single, dual, or triple stations.



## Features

- Deep sloping basin
- Adjustable thermostatic controlled pressure regulating mixing valve (one per station)
- Knee operated water & soap (optional for IR sinks)
- Check stop strainers for ease of maintenance
- High mount swivel gooseneck spout with adjustable swivel spray aerator
- Flow control valve
- Back-flow preventer's
- Infrared sinks are equipped with a 24 volt plug in transformer
- Splash screen dividers
- Main support and Z-brackets (wall support optional)
- 304 Stainless steel polished and ground to a #4 finish

*Optional Features on Next Page*

Note: The technical data given in this publication is for general information and is subject to change without notice. Actual configuration on the unit may vary. Contact our sales representatives for a complete list of details.

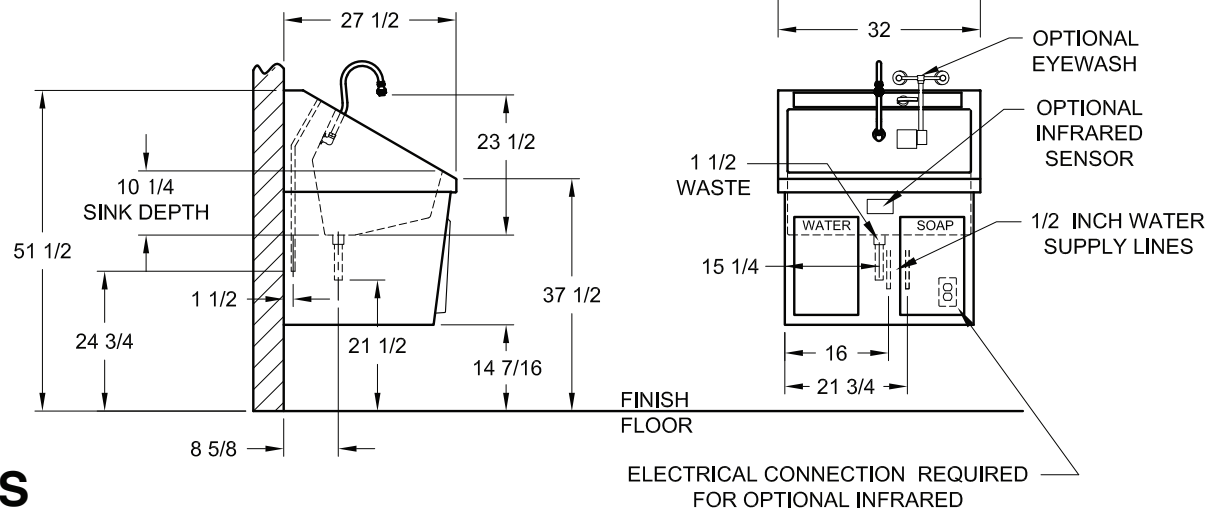


Seattle Technology  
 3915 152nd St NE  
 Marysville, WA 98271  
 1.800.827.3747  
 stsurg.com

## Optional Features

- Infrared operation
- Infrared soap dispenser
- Manual bypass to add knee operated water & soap with IR operation
- Knee operated water with IR water operation
- Knee operated soap with IR water operation
- Foot operated water
- Foot operated soap
- Digital scrub timer
- Eye wash
- Thermostatic mixing valve (add on to eye wash option)
- Laminar flow
- 220/240V power supply
- Pedestal base
- In-wall chair carrier
- Wall shelf over sink
- Lighted wall shelf over sink

## Specifications



## DIMENSIONS

*Specifications Continued on Next Page*

Note: The technical data given in this publication is for general information and is subject to change without notice. Actual configuration on the unit may vary. Contact our sales representatives for a complete list of details.



Seattle Technology  
3915 152nd St NE  
Marysville, WA 98271  
1.800.827.3747  
stsurg.com

## Specifications

# DIMENSIONS

### MATERIAL:

Sink Basin and Sink Top: 14 gauge, 300 series stainless steel  
Sink Skirt: 18 gauge, 300 series stainless steel

### ALL PLUMBING:

1/2" COPPER OR BRASS PIPE. The sink will be furnished with in line check valves on supply lines.

### UTILITY REQUIREMENT:

COLDWATER 20 TO 50 PSIG 70 DEG F MAX Consumption: 2 GPM Per Station  
HOT WATER 20 TO 50 PSIG 120 DEG F TO 140 DEG F MAX Consumption: 2 GPM Per Station

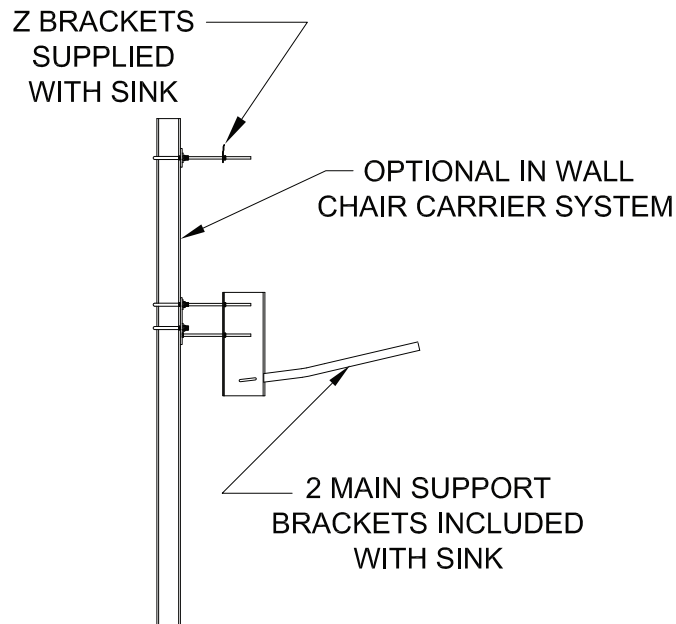
### The Customers Responsibility:

To ensure by use of pressure regulators or other means, that maximum specified pressures are not exceeded.  
To ensure that water supplies are properly protected for internal cross-connection control in accordance with local building and plumbing requirements.  
To eliminate water hammer conditions should they occur in the service piping.

### POWER REQUIREMENTS (FOR OPTIONAL SENSOR OPERATIONS):

120 VAC, 60 Hz, SINGLE PHASE, 3.0 AMP OR 220 VAC, 60 Hz, SINGLE PHASE, 1.5 AMP  
INSTALLED PER LOCAL BUILDING CODES

**NET WEIGHT OF SINK: 130 LBS**



*Specifications Continued on Next Page*

Note: The technical data given in this publication is for general information and is subject to change without notice. Actual configuration on the unit may vary. Contact our sales representatives for a complete list of details.

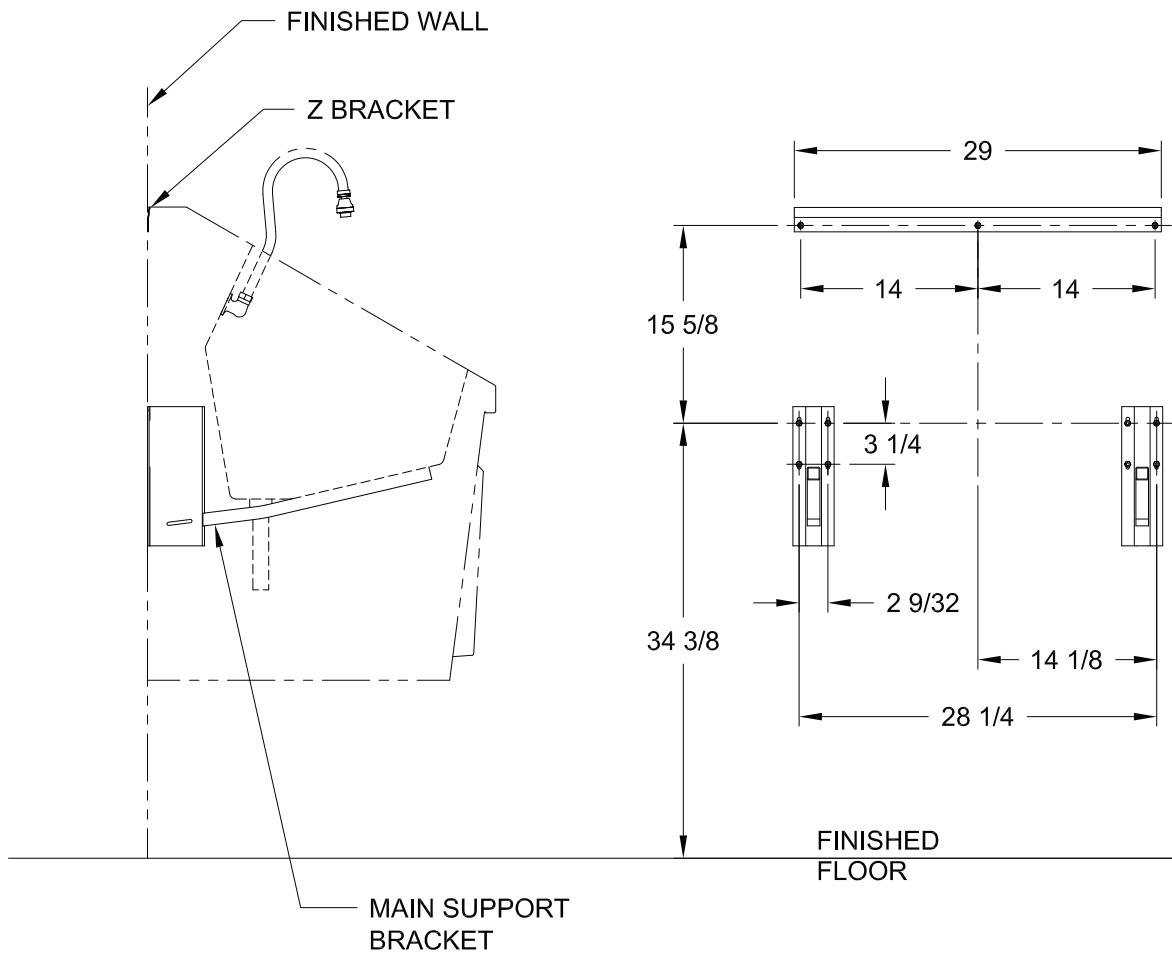


Seattle Technology  
3915 152nd St NE  
Marysville, WA 98271  
1.800.827.3747  
stsurg.com

## Specifications

# DIMENSIONS

## Model # SS32 (Single Station) with Wall Mounting Brackets (included)



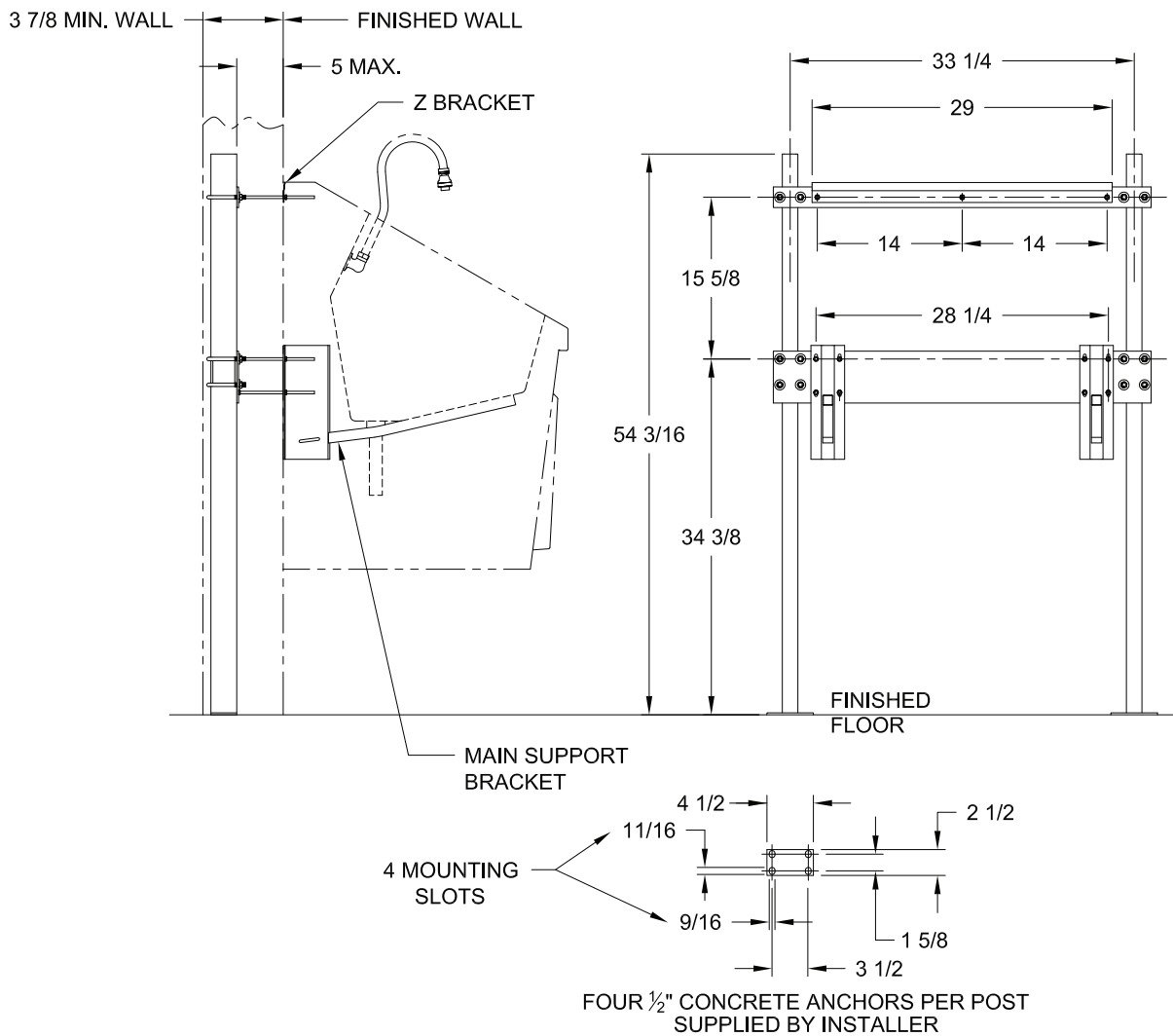
*Specifications Continued on Next Page*

Note: The technical data given in this publication is for general information and is subject to change without notice. Actual configuration on the unit may vary. Contact our sales representatives for a complete list of details.

Specifications

**DIMENSIONS**

**Model # SS32 (Single Station)**  
with Recommended Optional In-Wall Chair Carrier System (S0001)



*Specifications Continued on Next Page*

Note: The technical data given in this publication is for general information and is subject to change without notice. Actual configuration on the unit may vary. Contact our sales representatives for a complete list of details.

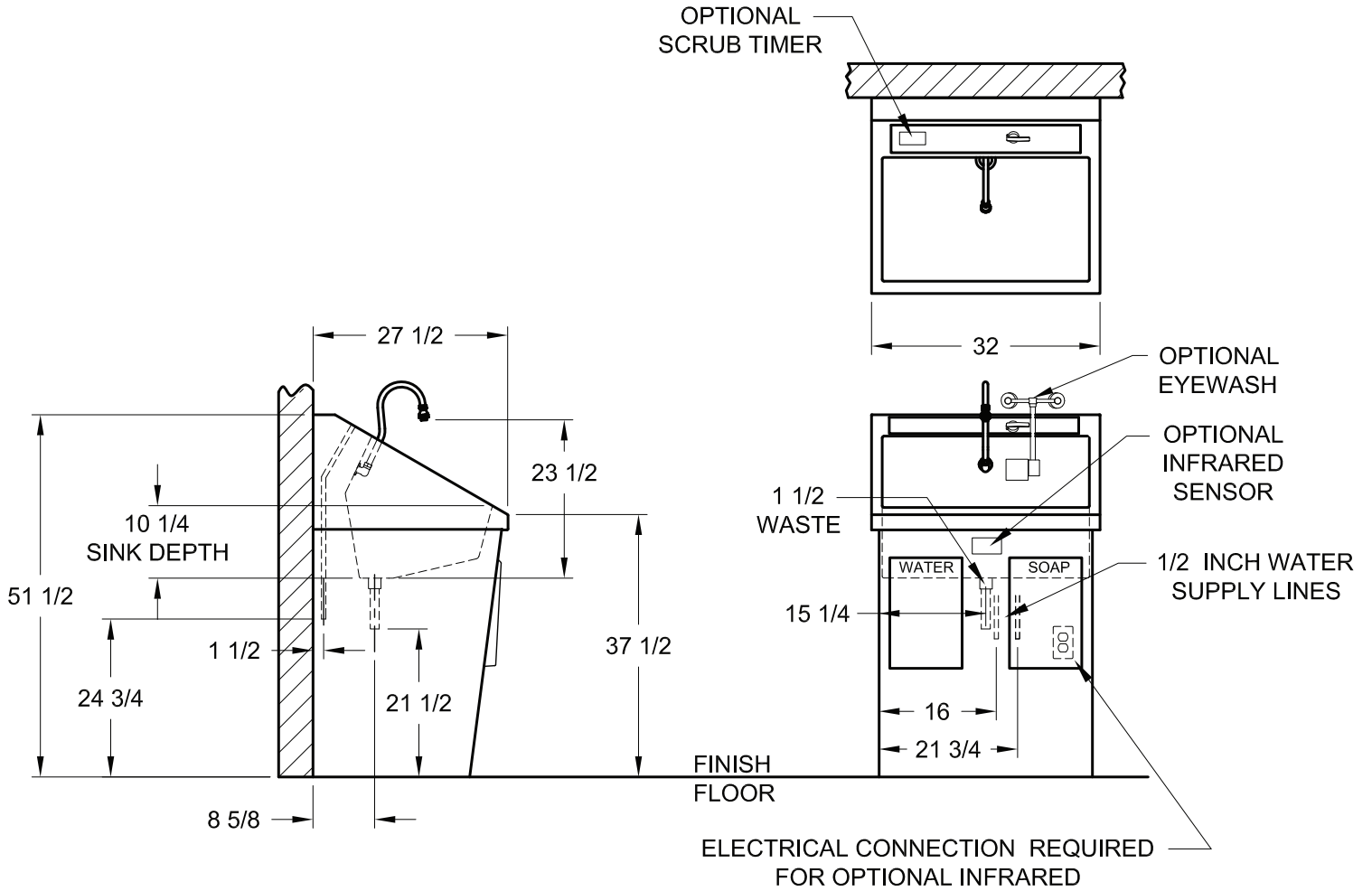


Seattle Technology  
 3915 152nd St NE  
 Marysville, WA 98271  
 1.800.827.3747  
 stsurg.com

## Specifications

# DIMENSIONS

## Model # SS32-PB (Single Station) with Pedestal Base



Note: The technical data given in this publication is for general information and is subject to change without notice. Actual configuration on the unit may vary. Contact our sales representatives for a complete list of details.