



Seattle Technology
3915 152nd St NE
Marysville, WA 98271

1.800.827.3747

stsurg.com

Product Overview

The Emergency Field Bed is designed for emergency medical response.

All assembly materials are provided and the bed can be assembled in a matter of minutes.

It is fitted with essential side rails, headboard protection, an IV pole, and casters.



Features on Next Page

Note: The technical data given in this publication is for general information and is subject to change without notice. Actual configuration on the unit may vary. Contact our sales representatives for a complete list of details.



Seattle Technology
3915 152nd St NE
Marysville, WA 98271
1.800.827.3747
stsurg.com

Features

Removable IV stand that can be placed on the right or left side of the bed

This emergency field bed comes equipped with a removable IV Stand that can be fitted on either side of the bed.

Removable Headboard and Footboard

Removable Side Rails

Remove and adjust the side rails as necessary for different patients needs and protection. These rails also act as a guide for the mattress.

Adjustable Head

Adjust the head of the bed easily for the patients comfort and needs easily.

450 LBS Weight Capacity

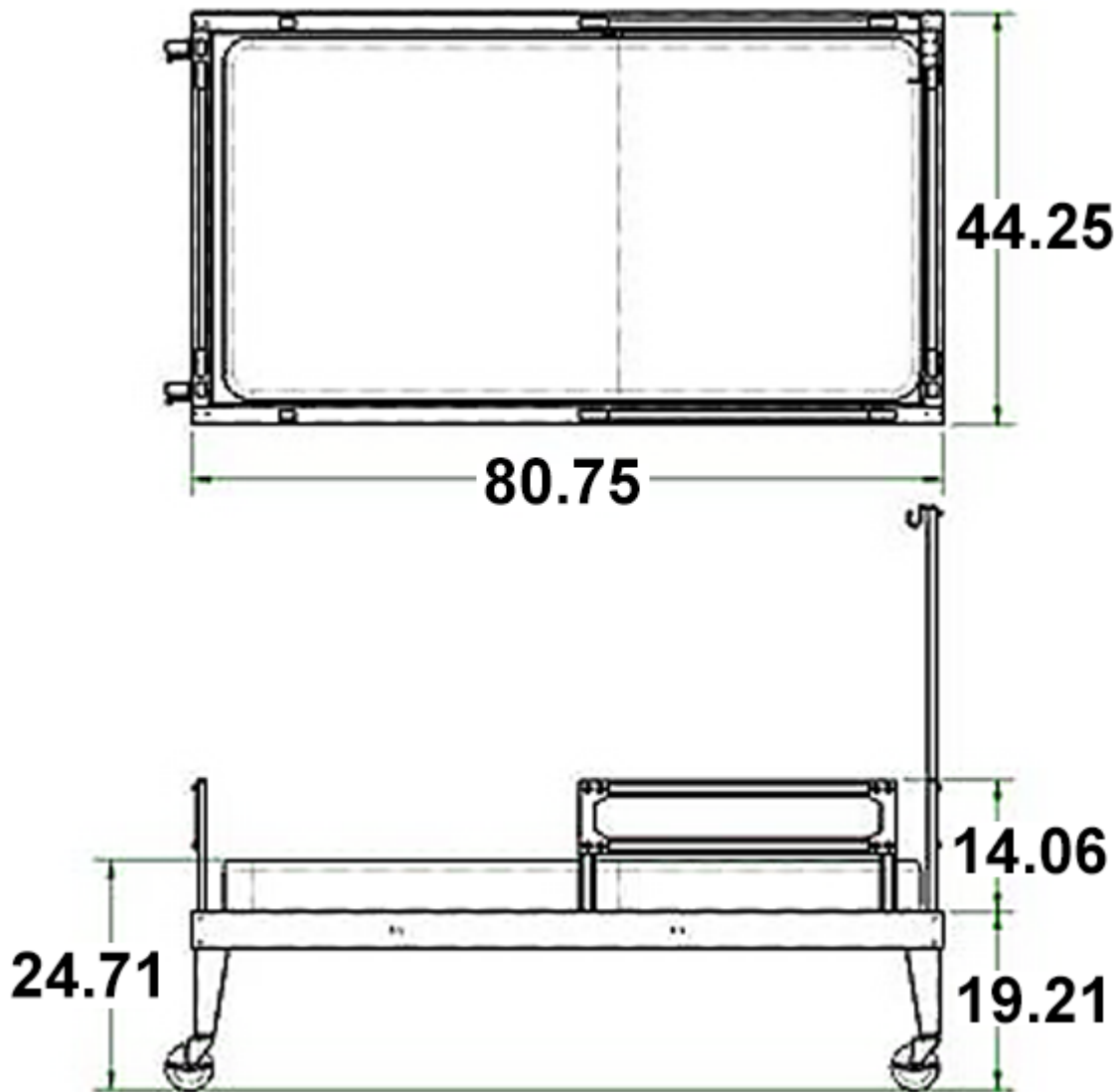
Specifications on Next Page

Note: The technical data given in this publication is for general information and is subject to change without notice. Actual configuration on the unit may vary. Contact our sales representatives for a complete list of details.



Seattle Technology
3915 152nd St NE
Marysville, WA 98271
1.800.827.3747
stsurg.com

Specifications



Note: The technical data given in this publication is for general information and is subject to change without notice. Actual configuration on the unit may vary. Contact our sales representatives for a complete list of details.